

# Autumn Racing Friday

## Race 4: Troy Asset Management Noel Murless Stakes (Listed) - 1M 6F 34Y

06 October 2023 - 15:58



Track Rating: Good, Weather: Fine, Rail Position: Unknown

Distance To Go		13fur	12fur	11fur	10fur	9fur	8fur	Last 3fur					
Field Times		0:18.56 (0:18.56)	0:33.08 (0:14.52)	0:46.31 (0:13.23)	0:58.82 (0:12.51)	1:10.83 (0:12.01)	1:23.27 (0:12.44)	0:38.30					
Rank	Nr.	Horse	Barrier	Top Speed [mi/h]	Fastest Section							Distance Travelled [m]	
1	2	<b>MIDDLE EARTH</b>	3	38.1	0:12.11	0:19.05 [4]	0:33.52 [4]	0:46.68 [4]	0:59.18 [4]	1:11.29 [4]	1:23.71 [4]	0:37.92	2896
		Oisin Murphy		1fur	9fur	(0:19.05)	(0:14.47)	(0:13.16)	(0:12.50)	(0:12.11)	(0:12.42)		
2	1	<b>CHESSPIECE</b>	2	38.0	0:12.01	0:18.80 [2]	0:33.23 [2]	0:46.41 [2]	0:58.82 [2]	1:10.83 [1]	1:23.27 [1]	0:38.30	2894
		W Buick		9fur	9fur	(0:18.80)	(0:14.43)	(0:13.18)	(0:12.41)	(0:12.01)	(0:12.44)		
3	3	<b>NAQEEB</b>	6	38.0	0:12.08	0:19.46 [6]	0:33.84 [6]	0:46.96 [6]	0:59.44 [6]	1:11.52 [6]	1:23.92 [5]	0:38.92	2898
		Jim Crowley		2fur	9fur	(0:19.46)	(0:14.38)	(0:13.12)	(0:12.48)	(0:12.08)	(0:12.40)		
4	6	<b>LMAY</b>	4	37.5	0:12.16	0:19.33 [5]	0:33.70 [5]	0:46.82 [5]	0:59.30 [5]	1:11.46 [5]	1:23.95 [6]	0:39.48	2888
		K Shoemark		9fur	9fur	(0:19.33)	(0:14.37)	(0:13.12)	(0:12.48)	(0:12.16)	(0:12.49)		
5	4	<b>NDAAWI</b>	1	37.5	0:12.18	0:18.80 [3]	0:33.34 [3]	0:46.56 [3]	0:59.08 [3]	1:11.26 [3]	1:23.68 [3]	0:39.94	2890
		Rob Hornby		9fur	9fur	(0:18.80)	(0:14.54)	(0:13.22)	(0:12.52)	(0:12.18)	(0:12.42)		
6	5	<b>CLIMATE FRIENDLY</b>	5	37.4	0:12.22	0:18.56 [1]	0:33.08 [1]	0:46.31 [1]	0:58.82 [1]	1:11.04 [2]	1:23.50 [2]	0:40.91	2894
		N Callan		9fur	9fur	(0:18.56)	(0:14.52)	(0:13.23)	(0:12.51)	(0:12.22)	(0:12.46)		

[ ] Ranking at each section and finish  
 -:-:-:- No data available at this section  
 NA No data available

SCN Saddle cloth number  
 DNF Did not finish  
 DNT Did not track

data processed by



# Autumn Racing Friday

## Race 4: Troy Asset Management Noel Murless Stakes (Listed) - 1M 6F 34Y

06 October 2023 - 15:58



Track Rating: Good, Weather: Fine, Rail Position: Unknown

Distance To Go				7fur	6fur	5fur	4fur	3fur	2fur	Last 3fur			
Field Times				1:36.88 (0:13.61)	1:50.19 (0:13.31)	2:03.11 (0:12.92)	2:15.70 (0:12.59)	2:28.62 (0:12.92)	2:41.17 (0:12.55)	0:38.30			
Rank	Nr.	Horse	Barrier	Top Speed [mi/h]	Fastest Section							Distance Travelled [m]	
1	2	<b>MIDDLE EARTH</b>	3	38.1	0:12.11	1:37.27 [3]	1:50.55 [4]	2:03.48 [4]	2:16.11 [4]	2:29.01 [4]	2:41.36 [2]	0:37.92	2896
		Oisin Murphy		1fur	9fur	(0:13.56)	(0:13.28)	(0:12.93)	(0:12.63)	(0:12.90)	(0:12.35)		
2	1	<b>CHESSPIECE</b>	2	38.0	0:12.01	1:36.88 [1]	1:50.19 [1]	2:03.11 [1]	2:15.70 [1]	2:28.62 [1]	2:41.17 [1]	0:38.30	2894
		W Buick		9fur	9fur	(0:13.61)	(0:13.31)	(0:12.92)	(0:12.59)	(0:12.92)	(0:12.55)		
3	3	<b>NAQEEB</b>	6	38.0	0:12.08	1:37.56 [5]	1:50.72 [5]	2:03.65 [5]	2:16.32 [5]	2:29.25 [6]	2:41.61 [4]	0:38.92	2898
		Jim Crowley		2fur	9fur	(0:13.64)	(0:13.16)	(0:12.93)	(0:12.67)	(0:12.93)	(0:12.36)		
4	6	<b>LMAY</b>	4	37.5	0:12.16	1:37.67 [6]	1:50.72 [6]	2:03.69 [6]	2:16.42 [6]	2:29.24 [5]	2:41.78 [6]	0:39.48	2888
		K Shoemark		9fur	9fur	(0:13.72)	(0:13.05)	(0:12.97)	(0:12.73)	(0:12.82)	(0:12.54)		
5	4	<b>NDAAWI</b>	1	37.5	0:12.18	1:37.38 [4]	1:50.49 [3]	2:03.44 [3]	2:16.08 [3]	2:28.97 [3]	2:41.61 [5]	0:39.94	2890
		Rob Hornby		9fur	9fur	(0:13.70)	(0:13.11)	(0:12.95)	(0:12.64)	(0:12.89)	(0:12.64)		
6	5	<b>CLIMATE FRIENDLY</b>	5	37.4	0:12.22	1:37.08 [2]	1:50.37 [2]	2:03.24 [2]	2:15.84 [2]	2:28.81 [2]	2:41.48 [3]	0:40.91	2894
		N Callan		9fur	9fur	(0:13.58)	(0:13.29)	(0:12.87)	(0:12.60)	(0:12.97)	(0:12.67)		

**Autumn Racing Friday**  
**Race 4: Troy Asset Management Noel Murless Stakes (Listed) - 1M 6F**  
**34Y**

06 October 2023 - 15:58



Track Rating: Good, Weather: Fine, Rail Position: Unknown

Distance To Go				1fur	Finish			Last 3fur		
Field Times				2:53.71 (0:12.54)	3:06.92 (0:13.21)			0:38.30		
Rank	Nr.	Horse	Barrier	Top Speed [mi/h]	Fastest Section		Official Finish Time		Distance Travelled [m]	
1	2	<b>MIDDLE EARTH</b>	3	38.1	0:12.11	2:53.81 [2]	3:06.93	3:06.72	0:37.92	2896
		Oisin Murphy		1fur	9fur	(0:12.45)	(0:13.12)			
2	1	<b>CHESSPIECE</b>	2	38.0	0:12.01	2:53.71 [1]	3:06.92	3:06.90	0:38.30	2894
		W Buick		9fur	9fur	(0:12.54)	(0:13.21)			
3	3	<b>NAQEEB</b>	6	38.0	0:12.08	2:54.44 [3]	3:08.17	3:07.97	0:38.92	2898
		Jim Crowley		2fur	9fur	(0:12.83)	(0:13.73)			
4	6	<b>LMAY</b>	4	37.5	0:12.16	2:54.90 [6]	3:08.72	3:08.29	0:39.48	2888
		K Shoemark		9fur	9fur	(0:13.12)	(0:13.82)			
5	4	<b>NDAAWI</b>	1	37.5	0:12.18	2:54.67 [4]	3:08.91	3:08.72	0:39.94	2890
		Rob Hornby		9fur	9fur	(0:13.06)	(0:14.24)			
6	5	<b>CLIMATE FRIENDLY</b>	5	37.4	0:12.22	2:54.79 [5]	3:09.72	3:09.53	0:40.91	2894
		N Callan		9fur	9fur	(0:13.31)	(0:14.93)			

[ ] Ranking at each section and finish  
 -:-:-:- No data available at this section  
 NA No data available

SCN Saddle cloth number  
 DNF Did not finish  
 DNT Did not track

data processed by

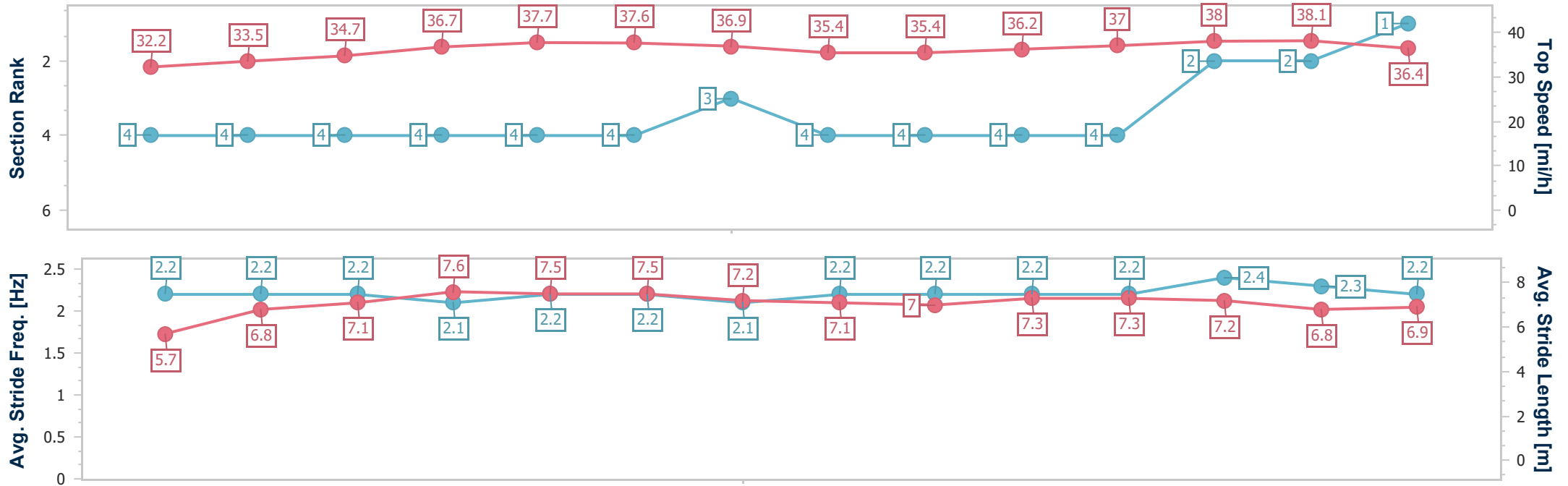


Horse Name	Middle Earth
Final Rank	1
Fastest Section Time (Section)	0:12.11 (9fur)
Top Speed [mi/h] (Section)	38.1 (1fur)
Race State	Finished

06 October 2023 - 15:58


Track Rating: Good, Weather: Fine, Rail Position: Unknown

Distance To Go	12fur	11fur	10fur	9fur	8fur	7fur	6fur	5fur	4fur	3fur	2fur	1fur	Finish
Section Times	0:33.52 [4] (0:14.47)	0:46.68 [4] (0:13.16)	0:59.18 [4] (0:12.50)	1:11.29 [4] (0:12.11)	1:23.71 [4] (0:12.42)	1:37.27 [3] (0:13.56)	1:50.55 [4] (0:13.28)	2:03.48 [4] (0:12.93)	2:16.11 [4] (0:12.63)	2:29.01 [4] (0:12.90)	2:41.36 [2] (0:12.35)	2:53.81 [2] (0:12.45)	3:06.93 (0:13.12)
Average Speed [mi/h]	33.2	34.2	36.0	37.3	36.5	34.7	34.7	34.7	35.9	36.6	37.7	35.9	34.2
Top Speed [mi/h]	33.5	34.7	36.7	37.7	37.6	36.9	35.4	35.4	36.2	37.0	38.0	38.1	36.4
Avg. Dist. to Rail [m]	6.8	4.8	5.6	5.1	5.5	6.5	7.3	8.3	8.5	8.1	15.0	14.0	11.5
Avg. Stride Freq. [Hz]	2.2	2.2	2.1	2.2	2.2	2.1	2.2	2.2	2.2	2.2	2.4	2.3	2.2
Avg. Stride Length [m]	6.8	7.1	7.6	7.5	7.5	7.2	7.1	7.0	7.3	7.3	7.2	6.8	6.9

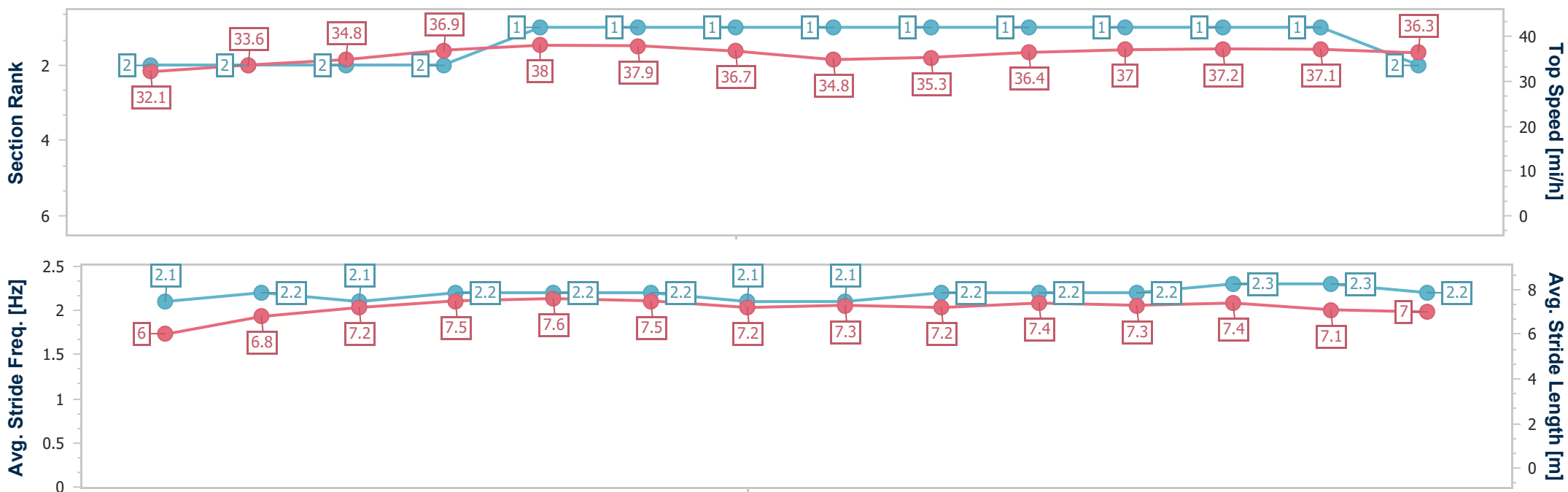


- [ ] Ranking at each section and finish
- .-.- No data available at this section
- NA No data available

Horse Name	Chesspiece
Final Rank	2
Fastest Section Time (Section)	0:12.01 (9fur)
Top Speed [mi/h] (Section)	38.0 (9fur)
Race State	Finished

**Autumn Racing Friday**  
**Race 4: Troy Asset Management Noel Murless Stakes (Listed) - 1M 6F 34Y**   
 06 October 2023 - 15:58  
 Track Rating: Good, Weather: Fine, Rail Position: Unknown

Distance To Go	12fur	11fur	10fur	9fur	8fur	7fur	6fur	5fur	4fur	3fur	2fur	1fur	Finish
Section Times	0:33.23 [2] (0:14.43)	0:46.41 [2] (0:13.18)	0:58.82 [2] (0:12.41)	1:10.83 [1] (0:12.01)	1:23.27 [1] (0:12.44)	1:36.88 [1] (0:13.61)	1:50.19 [1] (0:13.31)	2:03.11 [1] (0:12.92)	2:15.70 [1] (0:12.59)	2:28.62 [1] (0:12.92)	2:41.17 [1] (0:12.55)	2:53.71 [1] (0:12.54)	3:06.92 (0:13.21)
Average Speed [mi/h]	33.3	34.3	36.3	37.5	36.5	34.2	34.6	34.8	35.8	36.3	37.1	35.8	33.9
Top Speed [mi/h]	33.6	34.8	36.9	38.0	37.9	36.7	34.8	35.3	36.4	37.0	37.2	37.1	36.3
Avg. Dist. to Rail [m]	7.1	5.0	5.8	5.7	5.1	5.7	6.1	7.1	7.6	6.9	12.8	12.3	10.1
Avg. Stride Freq. [Hz]	2.2	2.1	2.2	2.2	2.2	2.1	2.1	2.2	2.2	2.2	2.3	2.3	2.2
Avg. Stride Length [m]	6.8	7.2	7.5	7.6	7.5	7.2	7.3	7.2	7.4	7.3	7.4	7.1	7.0



- [ ] Ranking at each section and finish
- .-.- No data available at this section
- NA No data available

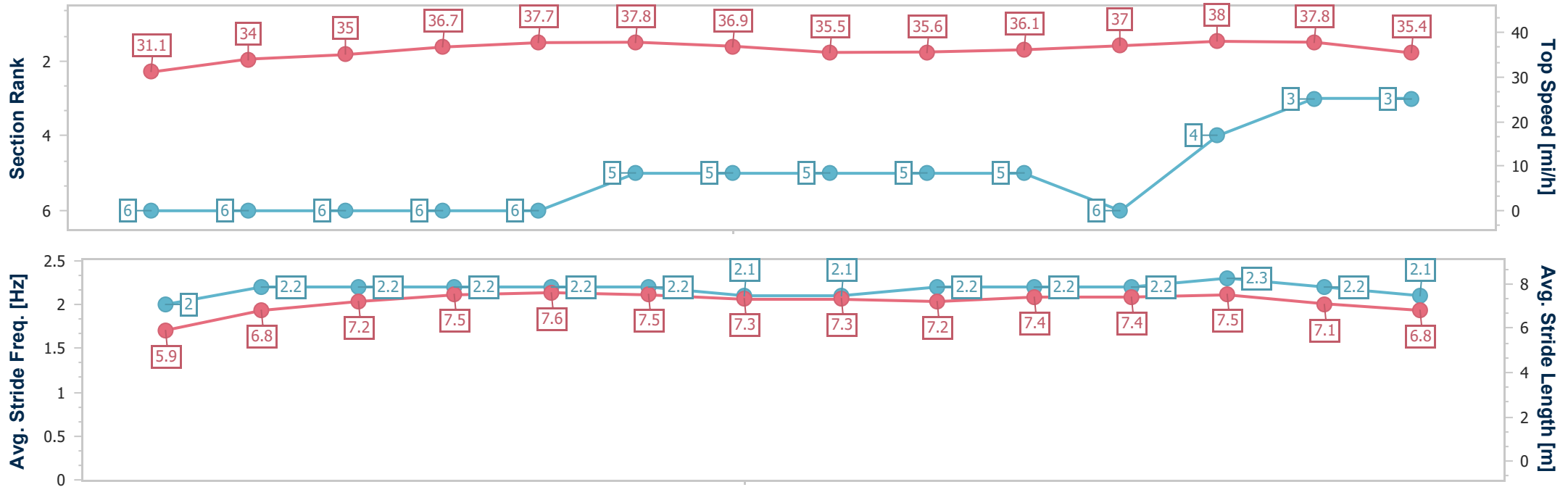
Horse Name	Naqeeb
Final Rank	3
Fastest Section Time (Section)	0:12.08 (9fur)
Top Speed [mi/h] (Section)	38.0 (2fur)
Race State	Finished

**Autumn Racing Friday**  
**Race 4: Troy Asset Management Noel Murless Stakes (Listed) - 1M 6F 34Y**

06 October 2023 - 15:58


Track Rating: Good, Weather: Fine, Rail Position: Unknown

Distance To Go	12fur	11fur	10fur	9fur	8fur	7fur	6fur	5fur	4fur	3fur	2fur	1fur	Finish
Section Times	0:33.84 [6] (0:14.38)	0:46.96 [6] (0:13.12)	0:59.44 [6] (0:12.48)	1:11.52 [6] (0:12.08)	1:23.92 [5] (0:12.40)	1:37.56 [5] (0:13.64)	1:50.72 [5] (0:13.16)	2:03.65 [5] (0:12.93)	2:16.32 [5] (0:12.67)	2:29.25 [6] (0:12.93)	2:41.61 [4] (0:12.36)	2:54.44 [3] (0:12.83)	3:08.17 (0:13.73)
Average Speed [mi/h]	33.3	34.5	36.1	37.3	36.6	34.6	35.0	34.7	35.6	36.4	37.9	35.0	32.5
Top Speed [mi/h]	34.0	35.0	36.7	37.7	37.8	36.9	35.5	35.6	36.1	37.0	38.0	37.8	35.4
Avg. Dist. to Rail [m]	7.2	4.9	5.6	4.8	5.7	6.7	7.0	7.6	8.0	7.7	14.5	13.5	6.8
Avg. Stride Freq. [Hz]	2.2	2.2	2.2	2.2	2.2	2.1	2.1	2.2	2.2	2.2	2.3	2.2	2.1
Avg. Stride Length [m]	6.8	7.2	7.5	7.6	7.5	7.3	7.3	7.2	7.4	7.4	7.5	7.1	6.8

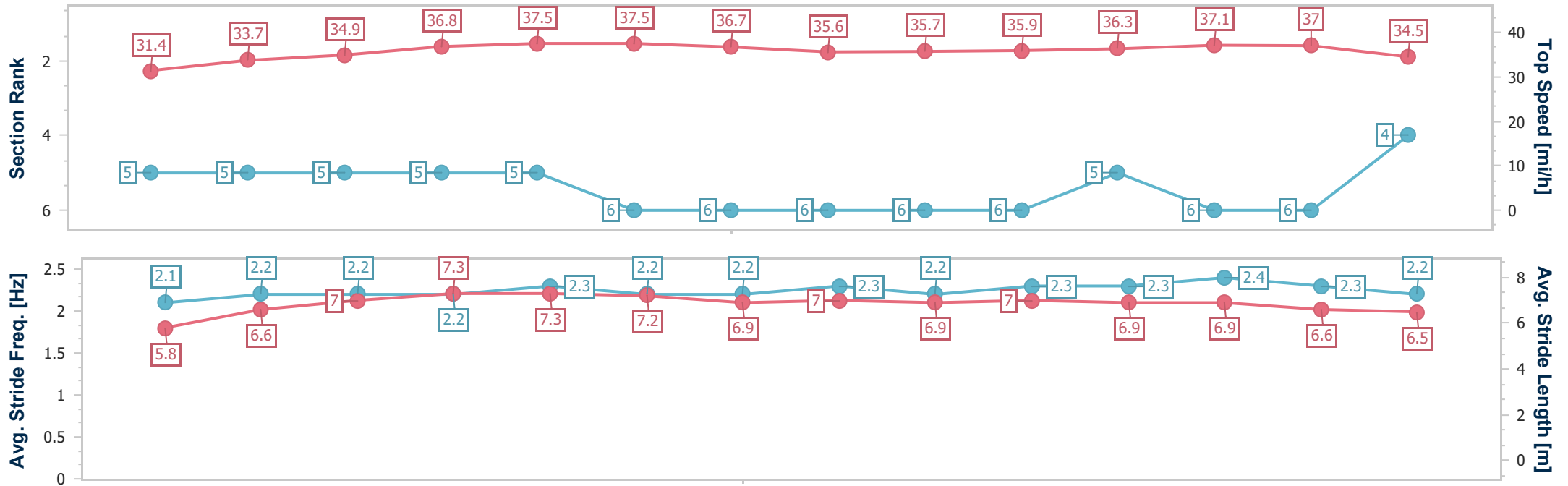


- [ ] Ranking at each section and finish
- .-.- No data available at this section
- NA No data available

Horse Name	Lmay
Final Rank	4
Fastest Section Time (Section)	0:12.16 (9fur)
Top Speed [mi/h] (Section)	37.5 (9fur)
Race State	Finished

**Autumn Racing Friday**  
**Race 4: Troy Asset Management Noel Murless Stakes (Listed) - 1M 6F 34Y**   
 06 October 2023 - 15:58  
 Track Rating: Good, Weather: Fine, Rail Position: Unknown

Distance To Go	12fur	11fur	10fur	9fur	8fur	7fur	6fur	5fur	4fur	3fur	2fur	1fur	Finish
Section Times	0:33.70 [5] (0:14.37)	0:46.82 [5] (0:13.12)	0:59.30 [5] (0:12.48)	1:11.46 [5] (0:12.16)	1:23.95 [6] (0:12.49)	1:37.67 [6] (0:13.72)	1:50.72 [6] (0:13.05)	2:03.69 [6] (0:12.97)	2:16.42 [6] (0:12.73)	2:29.24 [5] (0:12.82)	2:41.78 [6] (0:12.54)	2:54.90 [6] (0:13.12)	3:08.72 (0:13.82)
Average Speed [mi/h]	33.1	34.5	36.0	37.1	36.1	34.1	35.2	34.7	35.5	36.0	37.0	34.3	32.4
Top Speed [mi/h]	33.7	34.9	36.8	37.5	37.5	36.7	35.6	35.7	35.9	36.3	37.1	37.0	34.5
Avg. Dist. to Rail [m]	6.0	3.8	4.3	3.5	4.2	5.4	5.5	6.0	5.9	4.2	9.9	7.0	1.8
Avg. Stride Freq. [Hz]	2.2	2.2	2.2	2.3	2.2	2.2	2.3	2.2	2.3	2.3	2.4	2.3	2.2
Avg. Stride Length [m]	6.6	7.0	7.3	7.3	7.2	6.9	7.0	6.9	7.0	6.9	6.9	6.6	6.5



- [ ] Ranking at each section and finish
- .-.- No data available at this section
- NA No data available

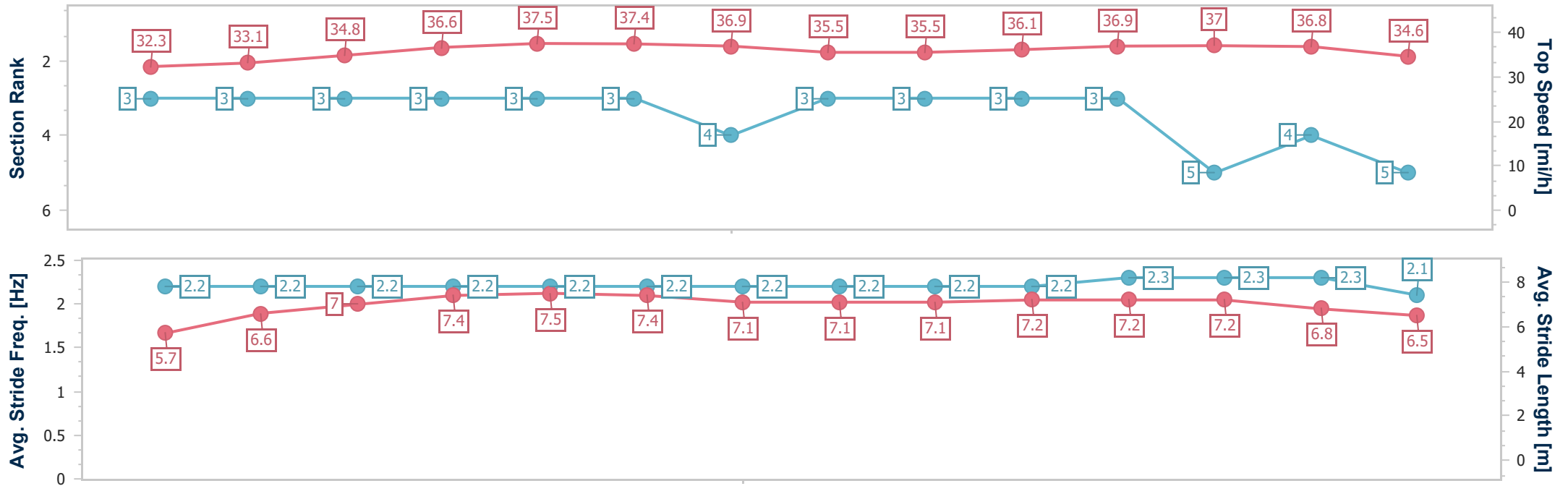
Horse Name	Ndaawi
Final Rank	5
Fastest Section Time (Section)	0:12.18 (9fur)
Top Speed [mi/h] (Section)	37.5 (9fur)
Race State	Finished

Autumn Racing Friday  
Race 4: Troy Asset Management Noel Murless Stakes (Listed) - 1M 6F 34Y 

06 October 2023 - 15:58

Track Rating: Good, Weather: Fine, Rail Position: Unknown


Distance To Go	12fur	11fur	10fur	9fur	8fur	7fur	6fur	5fur	4fur	3fur	2fur	1fur	Finish
Section Times	0:33.34 [3] (0:14.54)	0:46.56 [3] (0:13.22)	0:59.08 [3] (0:12.52)	1:11.26 [3] (0:12.18)	1:23.68 [3] (0:12.42)	1:37.38 [4] (0:13.70)	1:50.49 [3] (0:13.11)	2:03.44 [3] (0:12.95)	2:16.08 [3] (0:12.64)	2:28.97 [3] (0:12.89)	2:41.61 [5] (0:12.64)	2:54.67 [4] (0:13.06)	3:08.91 (0:14.24)
Average Speed [mi/h]	32.7	34.3	35.9	37.1	36.4	34.1	34.9	34.9	35.7	36.3	36.8	34.4	31.2
Top Speed [mi/h]	33.1	34.8	36.6	37.5	37.4	36.9	35.5	35.5	36.1	36.9	37.0	36.8	34.6
Avg. Dist. to Rail [m]	6.1	4.0	4.4	3.7	4.3	5.5	5.9	6.7	7.3	6.8	12.2	10.8	7.1
Avg. Stride Freq. [Hz]	2.2	2.2	2.2	2.2	2.2	2.2	2.2	2.2	2.2	2.3	2.3	2.3	2.1
Avg. Stride Length [m]	6.6	7.0	7.4	7.5	7.4	7.1	7.1	7.1	7.2	7.2	7.2	6.8	6.5



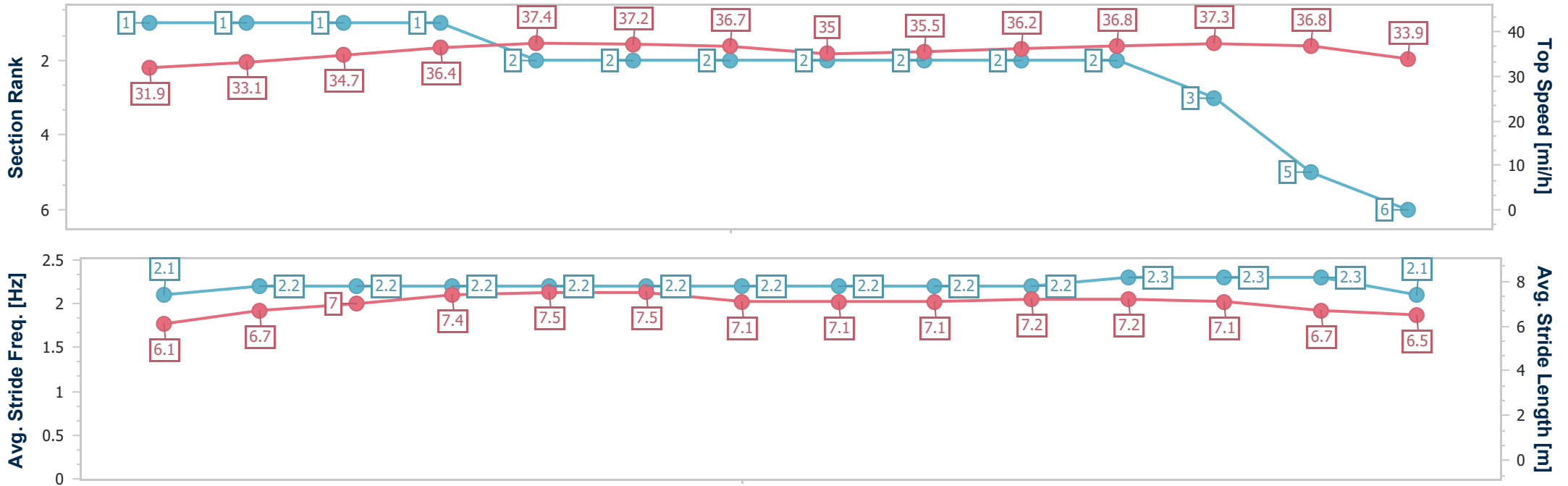
- [ ] Ranking at each section and finish
- .-.- No data available at this section
- NA No data available



Horse Name	Climate Friendly
Final Rank	6
Fastest Section Time (Section)	0:12.22 (9fur)
Top Speed [mi/h] (Section)	37.4 (9fur)
Race State	Finished

**Autumn Racing Friday**  
**Race 4: Troy Asset Management Noel Murless Stakes (Listed) - 1M 6F 34Y**   
 06 October 2023 - 15:58  
 Track Rating: Good, Weather: Fine, Rail Position: Unknown

Distance To Go	12fur	11fur	10fur	9fur	8fur	7fur	6fur	5fur	4fur	3fur	2fur	1fur	Finish
Section Times	0:33.08 [1] (0:14.52)	0:46.31 [1] (0:13.23)	0:58.82 [1] (0:12.51)	1:11.04 [2] (0:12.22)	1:23.50 [2] (0:12.46)	1:37.08 [2] (0:13.58)	1:50.37 [2] (0:13.29)	2:03.24 [2] (0:12.87)	2:15.84 [2] (0:12.60)	2:28.81 [2] (0:12.97)	2:41.48 [3] (0:12.67)	2:54.79 [5] (0:13.31)	3:09.72 (0:14.93)
Average Speed [mi/h]	32.8	34.1	36.1	36.8	36.4	34.4	34.7	34.9	35.8	36.2	37.0	33.8	29.9
Top Speed [mi/h]	33.1	34.7	36.4	37.4	37.2	36.7	35.0	35.5	36.2	36.8	37.3	36.8	33.9
Avg. Dist. to Rail [m]	6.1	4.1	4.5	4.1	5.1	6.0	6.7	7.8	8.3	7.9	14.9	13.1	9.5
Avg. Stride Freq. [Hz]	2.2	2.2	2.2	2.2	2.2	2.2	2.2	2.2	2.2	2.3	2.3	2.3	2.1
Avg. Stride Length [m]	6.7	7.0	7.4	7.5	7.5	7.1	7.1	7.1	7.2	7.2	7.1	6.7	6.5



- [ ] Ranking at each section and finish
- .-.- No data available at this section
- NA No data available